

LTS SCALE

CORPORATION

MANUFACTURE OF FILING
Lift Truck Scales



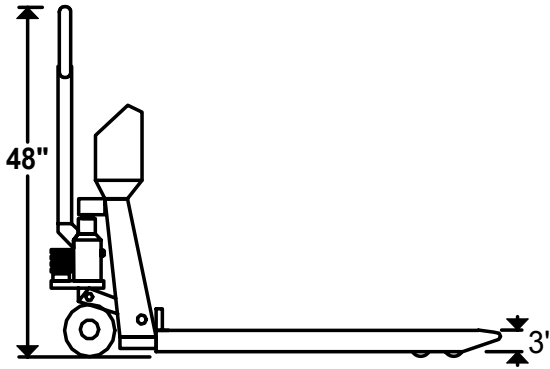
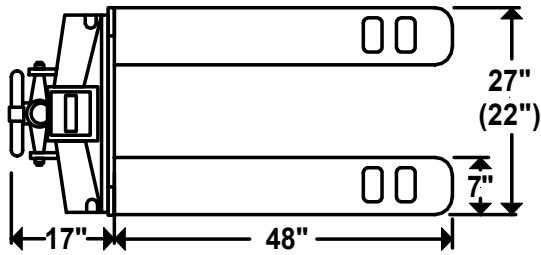
Standard Version Pallet Truck Scale

- 5000 lb. capacity
- 1 lb. resolution
- Basic weighing functions

Legal-for-Trade Pallet Truck Scale

- 5000 lb. Capacity
- 2 lb. Resolution





Model PT-EF-16 specifications

Lowered height of forks	3 in.
Raised height	7 3/4 in.
Weight	300 lbs.
Wheels	Polyurethane

Options Base

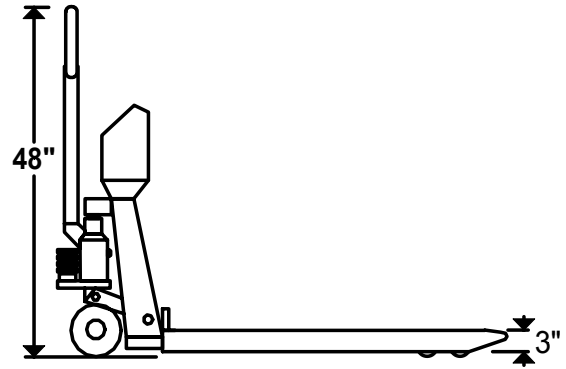
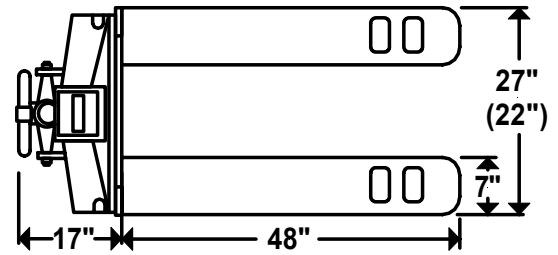
Brake set

Scale specifications

Weighing capacity 5000 x 1 lbs.

Features

- 6 digit LCD display with back light
- Keyboard configuration and calibration
- Rugged metal enclosure
- Low battery indication
- Motion detection
- Automatic zero tracking
- Push button Zero
- Push button Tare
- Gross/Net button
- lb/kg switching



Model PTEF-5K NTEP (Legal-for-Trade) specifications

Lowered height of forks	3 in.
Raised height	7 3/4 in.
Weight	300 lbs.
Wheels	Polyurethane

Options Base

Brake set

Scale specifications

Weighing capacity 5000 x 2 lbs.

Features

- Dual line, 32 character LCD display with back light
- Keyboard configuration and calibration
- Rugged metal enclosure
- Programmable printout
- Low battery indication
- Numeric keypad
- Motion detection
- Automatic zero tracking
- Watch dog circuit
- APW entry for counting
- Push button Zero
- Push button Tare
- Keyboard Tare weight
- Gross/Net button
- lb/kg switching
- ID entry for printing
- Accumulation register

Options

- Barcode scanner (requires additional programming)
- Extended memory (for custom applications)
- Custom programming
- RS232 Serial Port(s)
- Roll tape printer
- Time and Date
- Set points for filling
- Spare charger/battery pack

COC: 02-056