

MSI-4260 PORT-A-WEIGH

DIGITAL CRANE SCALE



COMPATIBLE WITH:



MSI-8000 RF Remote Display



RF Remote Controller



**Measurement Systems
International™**

A RICE LAKE WEIGHING SYSTEMS COMPANY

800-874-4320
www.msiscales.com

MSI-4260 PORT-A-WEIGH

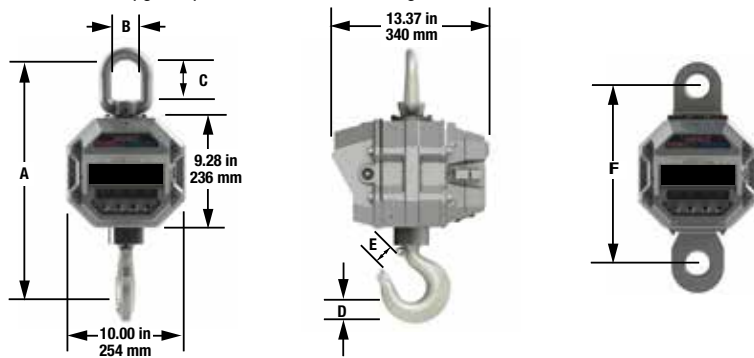
DIGITAL CRANE SCALE

Industry's original standard for accurate, reliable and safe overhead weighing.

Introduced in 1980, the MSI-4260 Port-A-Weigh established the original industry standard for accurate, reliable, and safe overhead crane weighing. After three decades of production, added advancements, and thousands of worldwide installations, the next generation Port-A-Weigh embedded with "ScaleCore" technology continues to reign as the industry standard. Along with Port-A-Weigh, the MSI product offering features the most comprehensive line of industrial crane scales and specialized overhead weighing solutions.

Options and Accessories

- NTEP Certified (contact factory for current USA and International approvals)
- RF remote controller (typical range 50 ft / 15 m)
- RF modem link for wireless connectivity with optional MSI-8000 RF Remote Display
- Universal direct power supply: 85-265VAC, 47-440 Hz/130-300VDC
- Heat shield for hot-metal and high temperature applications (contact factory for operating specifications)
- Substitute shackle for bottom swivel hook (for possible headroom loss reduction)
- Oversized top lifting eye or shackle (for oversized crane hook interface)
- Factory Mutual Approved Pending (intrinsically safe for use in hazardous environments): Class I, II, III; DIV. 1, Group C, D, E, F, & G; DIV. 2, Group A, B, C, D, & G (contact factory for current specifications)
- 802.11 b/g wireless module
- Retrofit Kit: Upgrade previous MSI-4260 to new generation MSI-4260 with ScaleCore



Capacity	Resolution**	A*	B*	C*	D*	E*	F	Hook	Eye Nut or Shackle	Safety Factor	Shipping Wt
500 lb 250 kg	0.2 lb 0.1 kg	18.3 in 465 mm	2.25 in 57.1 mm	3.06 in 77.7 mm	1.44 in 37.0 mm	1.41 in 36.0 mm	-	5 ton alloy swivel	CR # 7 eyenut	>5 >5	53 lb 24 kg
2,000 lb 1,000 kg	1 lb 0.5 kg	18.3 in 465 mm	2.25 in 57.1 mm	3.06 in 77.7 mm	1.44 in 37.0 mm	1.41 in 36.0 mm	-	5 ton alloy swivel	CR # 7 eyenut	>5 >5	53 lb 24 kg
5,000 lb 2,500 kg	1 lb 0.5 kg	20.5 in 521 mm	2.50 in 64.0 mm	3.50 in 89.0 mm	1.81 in 46.0 mm	1.69 in 42.9 mm	-	7 ton alloy swivel	CR # 8 eyenut	>5 >5	62 lb 28 kg
10,000 lb 5,000 kg	2 lb 1 kg	20.5 in 521 mm	2.50 in 64.0 mm	3.50 in 89.0 mm	1.81 in 46.0 mm	1.69 in 42.9 mm	-	7 ton alloy swivel	CR # 8 eyenut	>5 >5	62 lb 28 kg
20,000 lb 10,000 kg	5 lb 2 kg	28.5 in 724 mm	4.00 in 101.6 mm	6.25 in 159 mm	2.62 in 66.5 mm	2.41 in 61.2 mm	-	15 ton alloy swivel	CR # 11 eyenut	>7 >6.5	105 lb 47 kg
30,000 lb 15,000 kg	10 lb 5 kg	30.0 in 762 mm	4.00 in 101.6 mm	6.25 in 159 mm	3.00 in 76.2 mm	3.19 in 81.0 mm	-	22 ton alloy swivel	CR # 11 eyenut	>5 >5	125 lb 55 kg
50,000 lb 25,000 kg	10 lb 5 kg	41.0 in 1041 mm	5.00 in 127 mm	6.00 in 152 mm	3.62 in 92.0 mm	3.63 in 92.0 mm	15.0 in 381 mm	30 ton alloy swivel	CR 25 ton shackle # 2130	>5 4.9****	235 lb 106 kg
70,000 lb 35,000 kg	20 lb 10 kg	43.2 in 1097 mm	5.00 in 127 mm	6.00 in 152 mm	4.56 in 116 mm	3.75 in 95.0 mm	15.0 in 381 mm	37 ton alloy swivel	CR 40 ton alloy shackle # 2140	4.75**** 4.3****	270 lb 121 kg
100,000 lb 50,000 kg	20 lb 10 kg	52.1 in 1324 mm	5.75 in 146 mm	6.65 in 169 mm	5.06 in 129 mm	4.25 in 108 mm	16.25 in 413 mm	45 ton alloy swivel	CR 55 ton alloy shackle # 2140	4.5**** 4****	420 lb 189 kg
								60 ton alloy swivel	CR 55 ton alloy shackle # 2140	5 4.5	510 lb 231 kg
								75 ton alloy swivel	CR 55 ton alloy shackle # 2140	5 4.5	630 lb 286 kg

CR = Crosby or equivalent. (Crosby is a registered trademark of The Crosby Group, LLC.)

** These dimensions also apply to 50/70/100,000 lb models with hook and shackle

** Resolution subject to change for NTEP Certified units

*** Ultimate overload: 490% of kg capacity

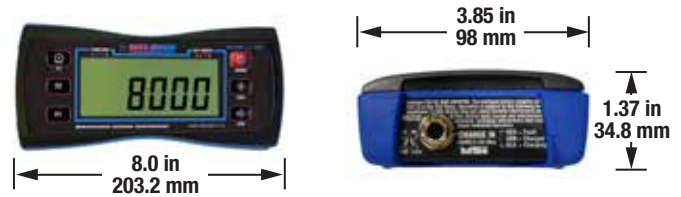
**** Ultimate overload: 475% of lb capacity / 430% of kg capacity

***** Ultimate overload: 450% of kg capacity

Alternate Hooks for 100,000 lb

Specifications

- Accuracy:** ± (0.1% +1 d) of applied load
- Resolution:** 3000 to 5000 d standard (Up to 10,000 d available)
- Enclosure:** NEMA 4, IP66 marine grade 356 alloy anodized cast aluminum
- Lifting Eye, Shackle & Hook:** Crosby® or equal with 360° thrust-bearing swivel hook
- Design Overload:** 200% Safe / 500% Ultimate (except as noted)
- Functions:** Power: Turns Unit ON or OFF
Zero: Zeros applied load up to 100% of capacity (limited range in NTEP/OIML configurations)
Tare: Tares applied load and displays weight in Net mode
F1: Programmable as TEST, UNITS, NET/GROSS, TOTAL & PEAK HOLD
Five-digit, 1.2 in (30 mm) LED with programmable brightness control
- Display:** Pounds or Kilograms selectable
- Annunciators:** COZ, Net, Gross, Total, Peak, Low Battery, lb/kg, Motion, Setpoints
- Power:** 12 Volt rechargeable battery
115/230VAC battery charger is included
- Operating Time:** Up to 200 hours between charging with typical use.
Less with optional RF modem link
- Operating Temperature:** 5°F to 122°F (-15°C to 50°C)
- Auto-Off Mode:** Select for 15, 30, 45 minutes, 1 hour or Off
- Auto Sleep Mode:** Power down during non-use and power up with weight change or any key press
- Service Counters:** Counts number of lifts over percentage of capacity and lifts over capacity
- Calibration:** Digital
- Filtering:** OFF, LO, HI-1, HI-2 selectable
- MSI-8000 RF Remote Display Specifications**
- Functions:** On/Off, Zero, Tare, Peak Hold, Units, Total, High Resolution, Net/Gross, Print, Test
- Display:** Five-digit, 1.22 in (31 mm) LCD
- Power:** Rechargeable lithium polymer battery
24 hours operating time between charging in typical use
115/230VAC battery charger is included
- RF Frequency:** 2.4 GHz - 802.15.4 operating range 100 ft (30 m) typical
- Enclosure:** Industrial grade NEMA 4/IP65
- Output:** Serial RS-232



A RICE LAKE WEIGHING SYSTEMS COMPANY

14240 Interurban Avenue South, STE 200, Seattle, Washington 98168-4661 USA
TEL: 206-433-0199 • FAX: 206-244-8470 • EMAIL: info@msiscales.com www.msiscales.com

© 2013 by Measurement Systems International, Inc PN 151212 5/13
Specifications subject to change without notice. Printed in USA